



KWAZULU-NATAL PROVINCE

EDUCATION
REPUBLIC OF SOUTH AFRICA

PHYSICAL SCIENCES
COMMON TEST
JUNE 2021

NATIONAL
SENIOR CERTIFICATE

GRADE 11

TIME: 1 hour

MARKS: 50

This question paper consists of 7 pages and 2 data sheets.

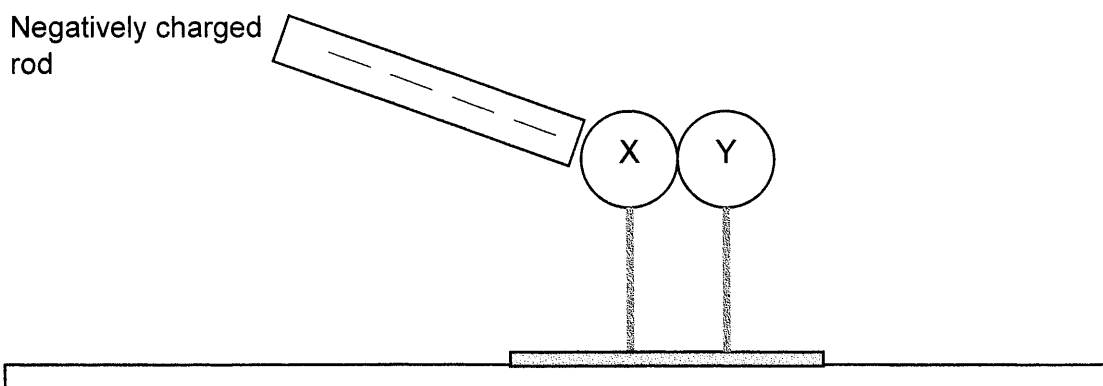
INSTRUCTIONS AND INFORMATION TO CANDIDATES

1. Write your name on the **ANSWER BOOK**.
2. This question paper consists of **FOUR** questions. Answer **ALL** the questions in the **ANSWER BOOK**.
3. Start **EACH** question on a **NEW** page in the **ANSWER BOOK**.
4. Number the answers correctly according to the numbering system used in this question paper.
5. Leave **ONE** line between two subsections, for example between **QUESTION 2.1** and **QUESTION 2.2**.
6. You may use a non-programmable calculator.
7. You may use appropriate mathematical instruments.
8. You are advised to use the attached **DATA SHEET**.
9. Show **ALL** formulae and substitutions in **ALL** calculations.
10. Round off your final numerical answers to a minimum of **TWO** decimal places.
11. Give brief motivations, discussions, et cetera where required.

QUESTION 1 : MULTIPLE CHOICE QUESTIONS

Four options are provided as possible answers to the following questions. Each question has only ONE correct answer. Write only the letter (A - D) next to the question number (1.1 — 1.4) in the ANSWER BOOK, for example 1.5 E.

- 1.1 Two neutral metal spheres X and Y, on an insulating stand, are brought into contact with each other. A negatively charged rod is held near X without touching it.



The spheres are separated and the rod is removed. The charges on the spheres X and Y after separation will be...

- A Positive and negative respectively
B Both neutral
C Both positive
D Negative and positive respectively (2)
- 1.2 Two identical small metal spheres on insulated stands carry equal charges and are a distance d apart. Each sphere experiences an electrostatic force of magnitude F . The spheres are now placed a distance $3d$ apart. The magnitude of the electrostatic force each sphere now experiences is ...
- A $3F$
B $\frac{1}{3}F$
C $9F$
D $\frac{1}{9}F$ (2)
- 1.3 Which ONE of the following substances has dipole-dipole forces between the molecules?

- A H_2
B CO_2
C H_2O
D CH_4 (2)

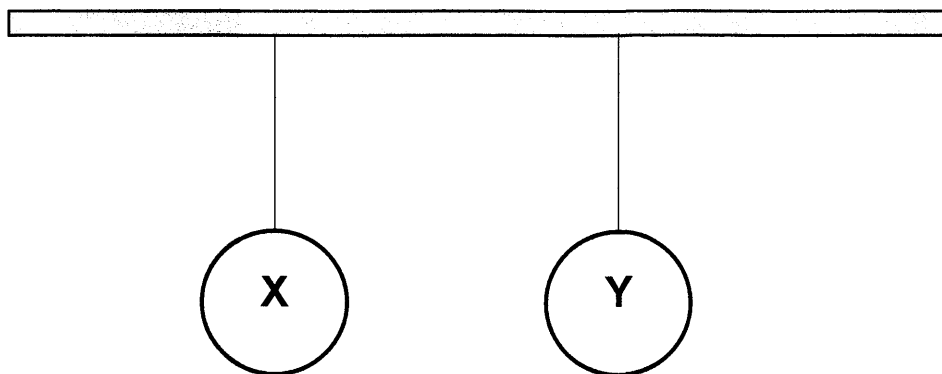
1.4 The number of atoms in 2g of H₂ is:

- A $3,01 \times 10^{23}$
 - B $6,02 \times 10^{23}$
 - C 2
 - D $12,04 \times 10^{23}$
- (2)

[8]

QUESTION TWO

2.1 Two identical spheres, X and Y, are suspended by insulated threads from a ceiling, as shown in the diagram below.



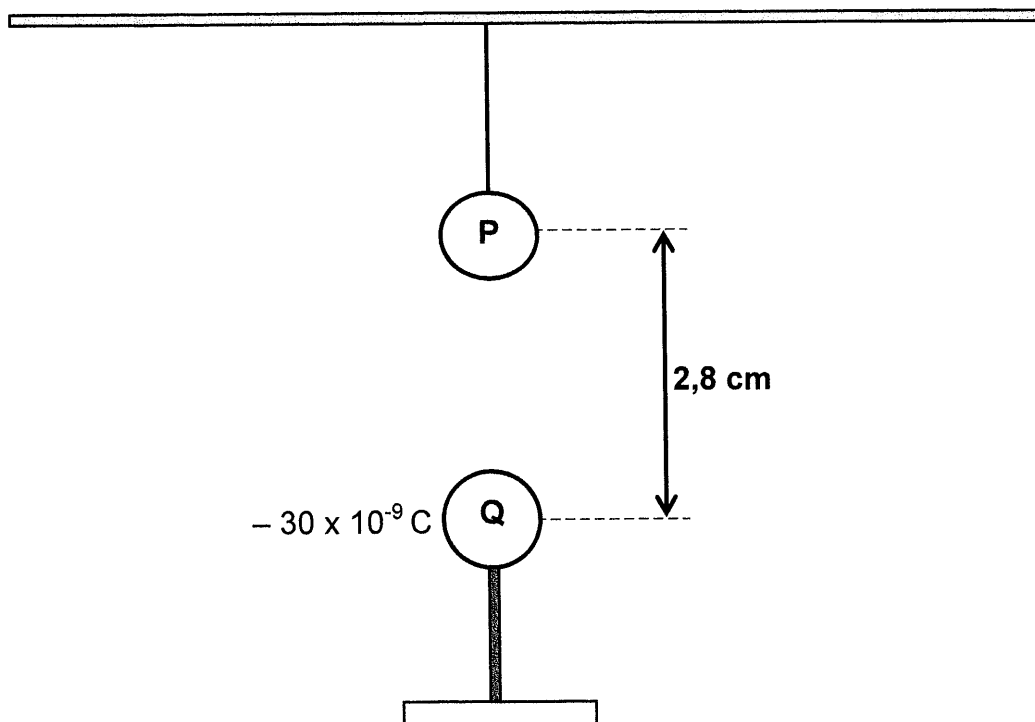
Sphere X has an excess of 25 electrons and the charge on Y is unknown.

The spheres are brought into contact with each other and then separated.

The charge on each sphere after separation is 8×10^{-18} C.

Calculate the charge on sphere Y before it made contact with sphere X. (3)

- 2.2 A small sphere, P, with a charge of $+ 15 \times 10^{-9} \text{ C}$, is suspended from a light string attached to the ceiling. Sphere, Q, with a charge of $- 30 \times 10^{-9} \text{ C}$ is fixed on an insulated stand directly below P. The distance between the centres of the two spheres is 2,8 cm. The tension in the string holding sphere P is 0,05 N.

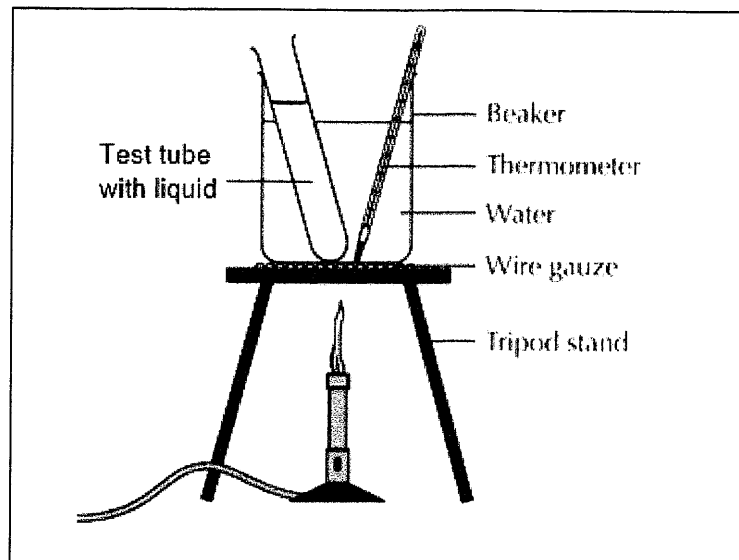


- 2.2.1 State Coulombs law in words. (2)
- 2.2.2 Calculate the magnitude of the electrostatic force the spheres exert on each other. (3)
- 2.2.3 Calculate the weight of sphere P. (4)
- 2.3
- 2.3.1 Define *electric field at a point*. (2)
- 2.3.2 The electric field at a distance of 0,032 m from a charged object is $3.61 \times 10^5 \text{ N} \cdot \text{C}^{-1}$. What is the magnitude of the electric field at a distance of 0,195 m from the same object? (4)
- [18]

QUESTION 3 (Start on a new page)

A group of learners decided to carry out an investigation to study the effect of intermolecular forces on the boiling point of the liquids listed in the table below.

The following apparatus was used.



LIQUID	BOILING POINT (°C)
Acetone	56
Ethanol	78,37
Water	100

- 3.1 Define *boiling point*. (2)
- 3.2 Identify the independent variable in this investigation. (1)
- 3.3 Why must ethanol be heated in a water bath? (1)
- 3.4 Explain the difference in the boiling points of acetone and water by referring to the TYPES of intermolecular forces in these compounds. (4)
- 3.5 Write a conclusion for this investigation. (1)
- 3.6 Will the vapour pressure of ethanol to be HIGHER THAN or LOWER THAN acetone? Give a reason for the answer. (2)

[11]

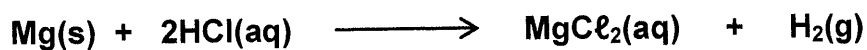
QUESTION 4 (Start on a new page)

4.1 A compound has the following percentage composition:

58,065% C 7,527% H 34,408 % O

Determine the molecular formula of this compound if its molar mass is $372 \text{ g}\cdot\text{mol}^{-1}$ (5)

4.2 1,2g of magnesium (Mg), is reacted with 250 cm^3 of a hydrochloric acid (HCl) solution of concentration $0,5 \text{ mol}\cdot\text{dm}^{-3}$ according to the following balanced equation:



4.2.1 Define *limiting reagent* (2)

4.2.2 Determine the limiting reagent by means of a calculation (3)

4.2.3 Calculate the volume of $\text{H}_2\text{(g)}$ produced if the molar gas volume is $23,2 \text{ dm}^3\cdot\text{mol}^{-1}$ (3)

[13]

TOTAL MARKS: 50

DATA FOR PHYSICAL SCIENCES GRADE 11**PHYSICS****TABLE 1: PHYSICAL CONSTANTS**

NAME	SYMBOL	VALUE
Acceleration due to gravity	g	9,8 m·s ⁻²
Coulomb's constant	k	9,0 x 10 N·m ·C
Charge on electron	e	-1,6 x 10 ⁻¹⁹ C
Electron mass	m _e	9,11 x 10 ⁻³¹ kg

TABLE 2 : FORMULAE**ELECTROSTATICS**

$F = \frac{kQ_1Q_2}{r^2}$ (k = 9,0 x 10 ⁹ N·m ² ·C ⁻²)	$E = \frac{F}{q}$
$E = \frac{kQ}{r^2}$ (k = 9,0 x 10 ⁹ N·m ² ·C ⁻²)	$V = \frac{W}{Q}$

TABLE 3: PHYSICAL CONSTANTS

NAME	SYMBOL	VALUE
Avogadro's constant	N _A	6,02 x 10 ²³ mol ⁻¹
Molar gas constant	R	8,31 J·K ⁻¹ ·mol ⁻¹
Standard pressure	p ^θ	1,013 x 10 ⁵ Pa
Standard temperature	T ^θ	273 K

TABLE 4: FORMULAE

$n = \frac{m}{M}$	$n = \frac{N}{N_A}$
$c = \frac{n}{V}$ OR $c = \frac{m}{MV}$	$n = \frac{V}{V_m}$

